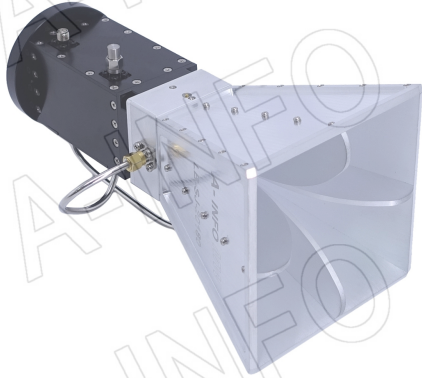


For reference only. See data sheet for the detailed specifications.

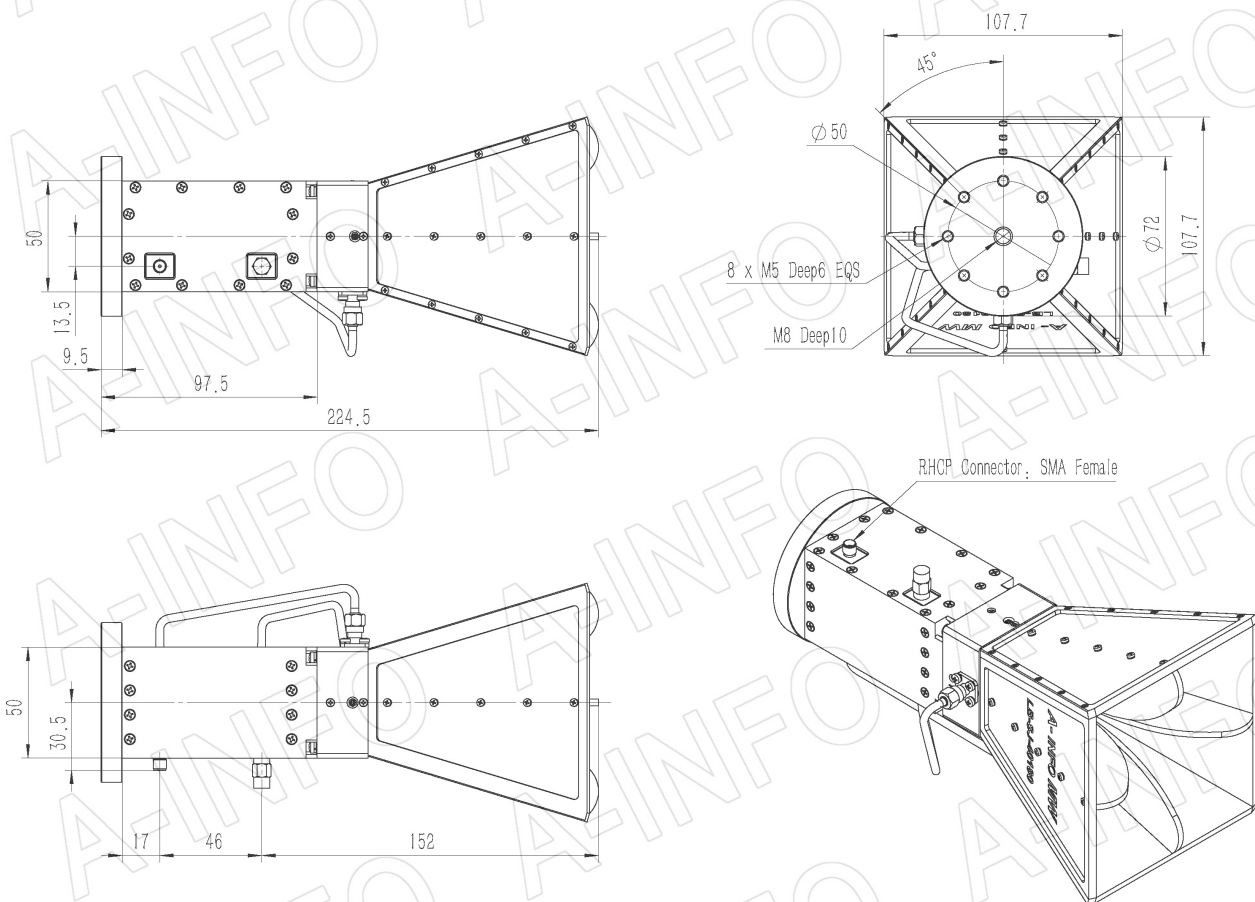
## Technical Specification



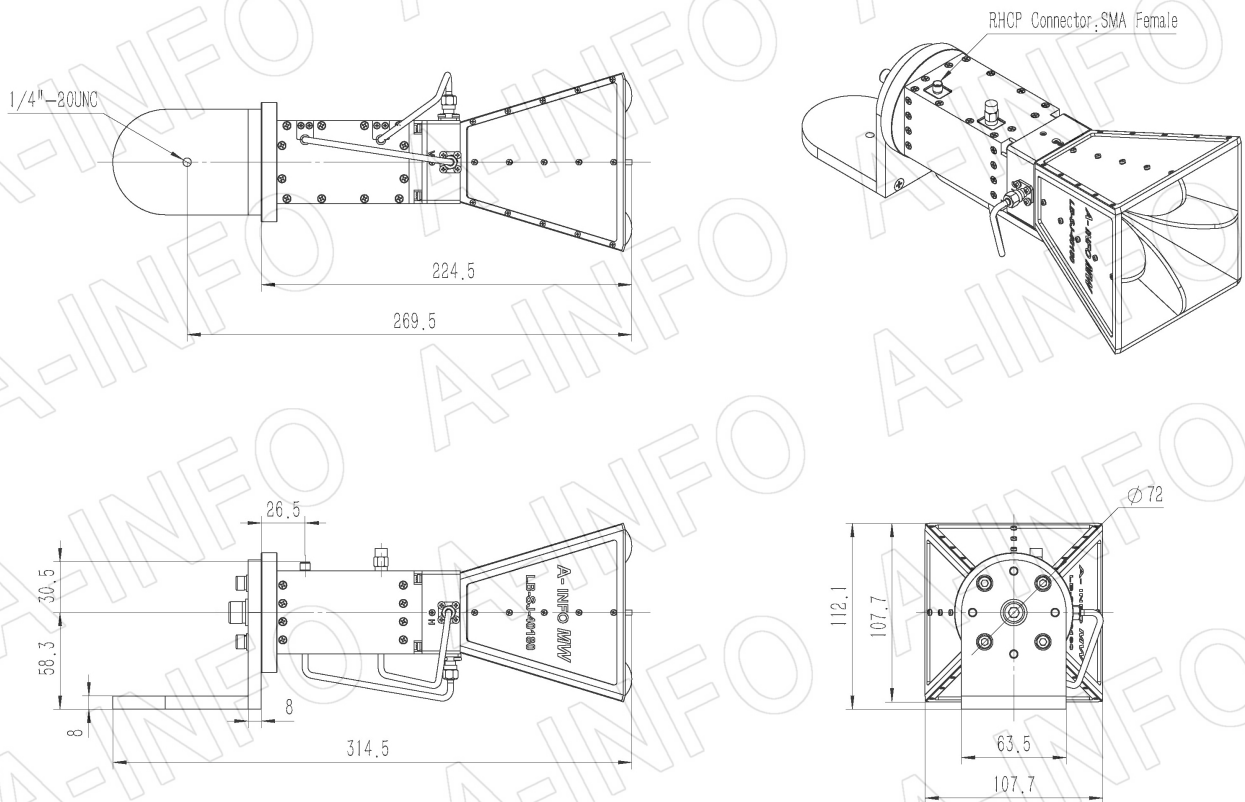
Frequency Range(GHz)	4.0 – 18.0
Gain(dBic)	11 Typ.
Polarization	RHCP
Axial Ratio(dB)	2.0 Typ.
	3.0 Max.
3dB Beamwidth(deg)	E Plane: 63 - 23
	H Plane: 64 - 23
VSWR	2.0:1 Max.
Connector	SMA-Female
Power Handling(W CW)	20 Max.
Material	Al
Finish	Chemical Conversion Coating and Anodizing
Size(mm)	107.7 x 107.7 x 224.5
Net Weight(Kg)	0.80 Around

## Outline Drawing (Size: mm)

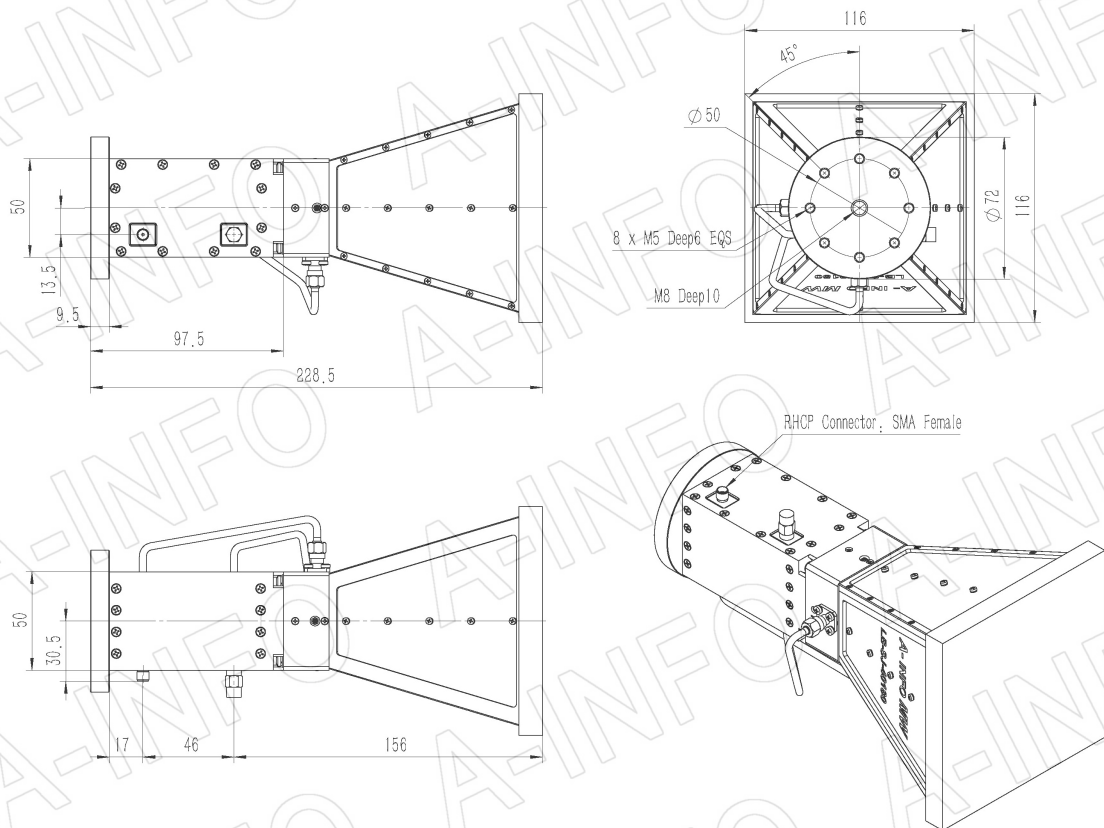
SMA-Female Output (P/N: LB-SJ-40180-P02)



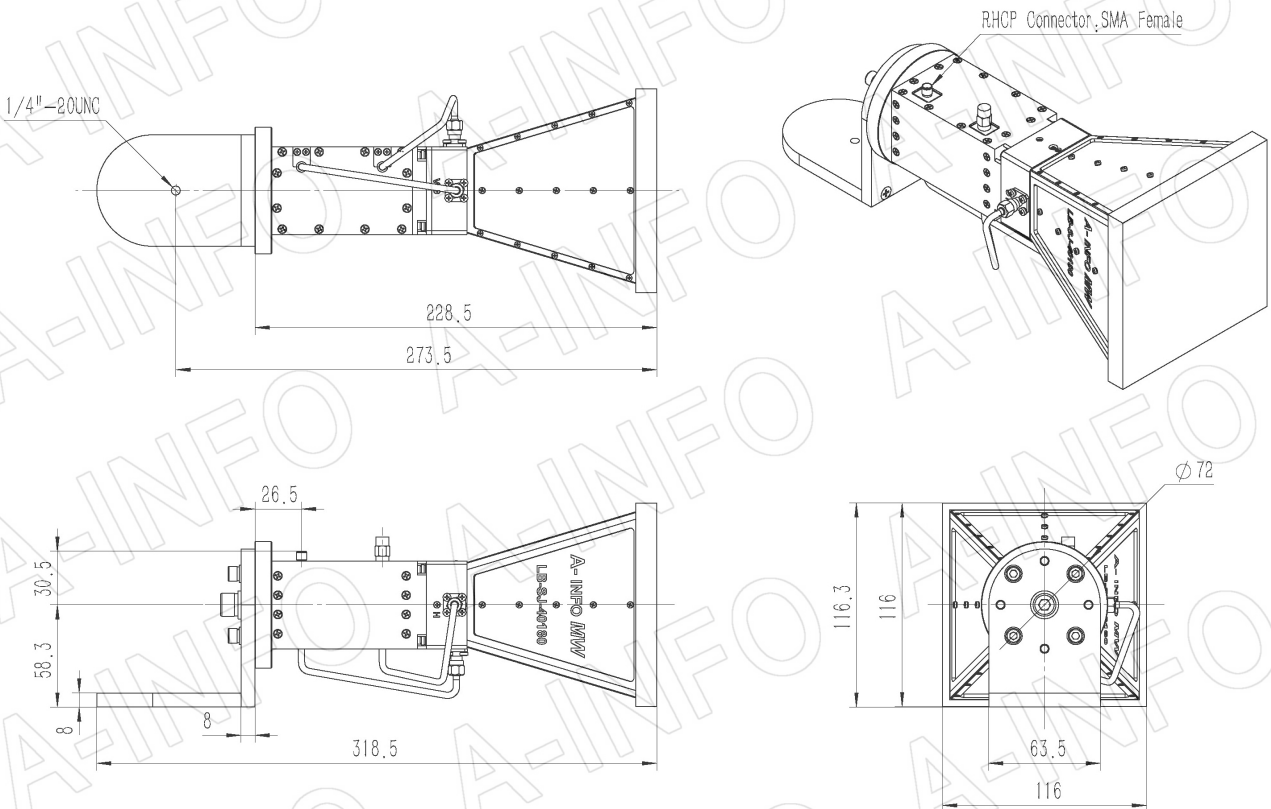
SMA-Female Output with L Type Mounting Bracket (Option, P/N: LB-10180-L)



SMA-Female Output with Radome (Option, P/N: LB-SJ-40180-P02SPO, Application Outdoor)



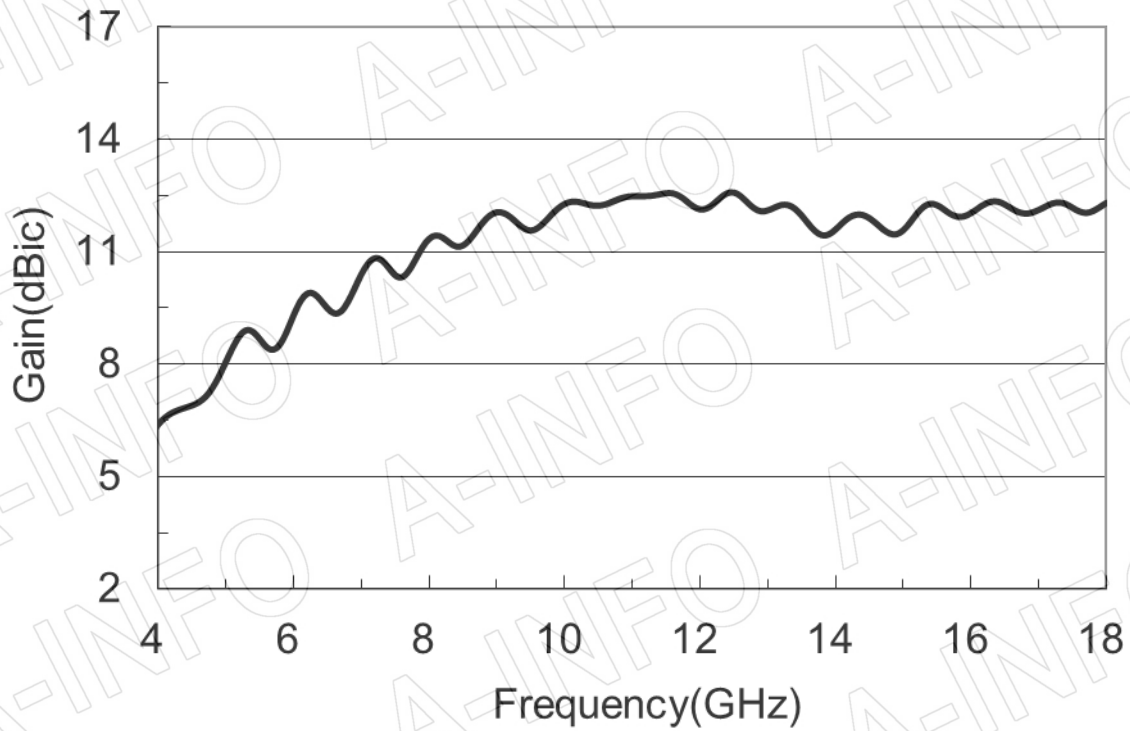
SMA-Female Output with L Type Mounting Bracket & Radome (Option, P/N: LB-10180-L & LB-SJ-40180-P02SPO, Application Outdoor)



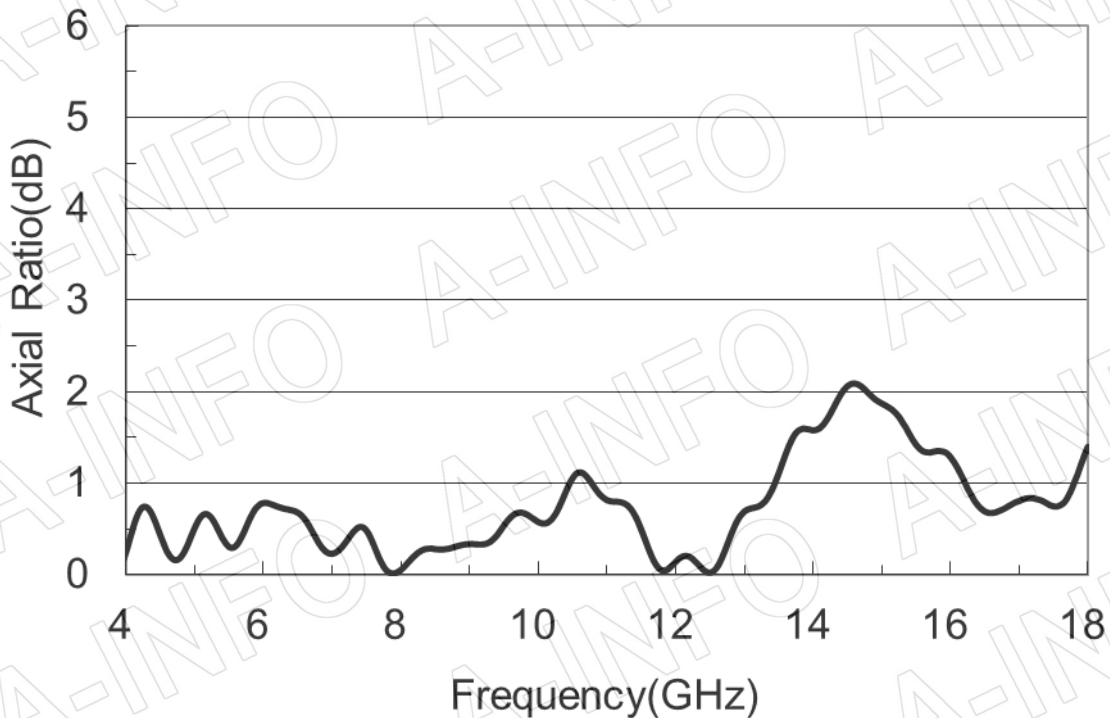


## Test Results

### 1. Gain

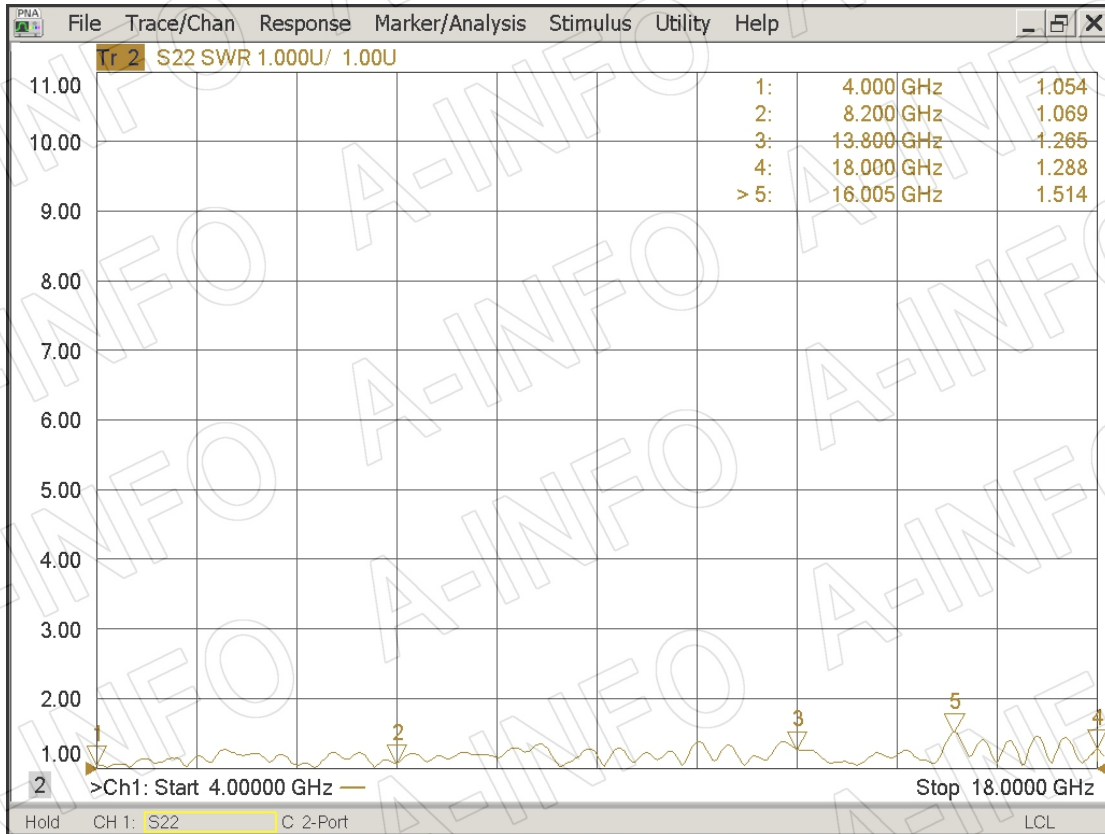


### 2. Axial Ratio





### 3. VSWR



### 4. Pattern

